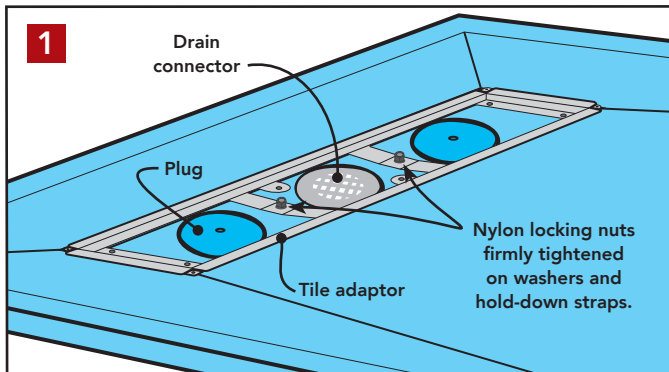


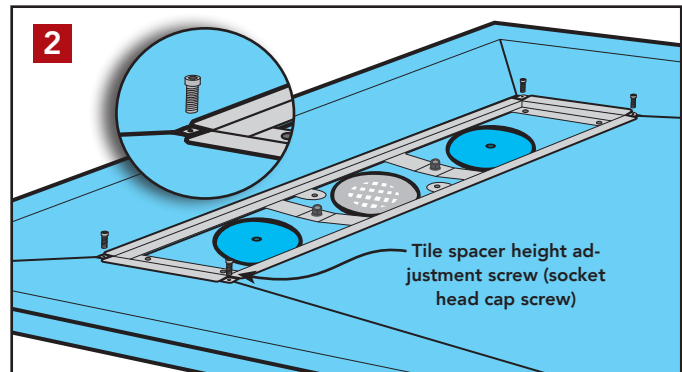
Install a TrueDEK® Linear Drain

ARC inc.

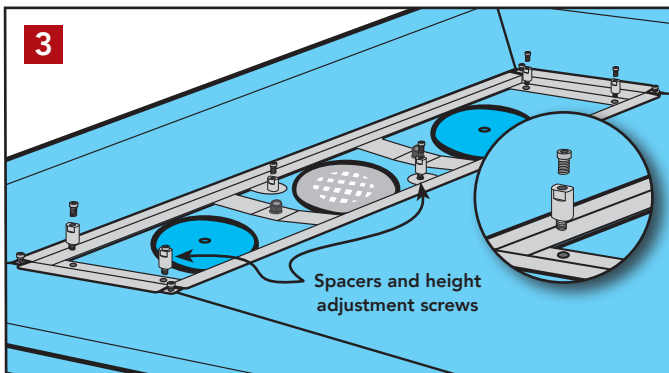
ARC's decorative linear drain assembly attractively trims a TrueDEK Linear shower foundation's drain gully. The drain assembly's cover can be installed with the stainless steel on display, or it can be flipped over and filled with tile or stone. Height-adjustment hardware, which will be hidden beneath the decorative drain components when the installation is completed, allows you to align the tile spacer and cover with the surface of the surrounding tile or stone. You can adjust the cover and trim frame to match tile up to 5/8" thick.



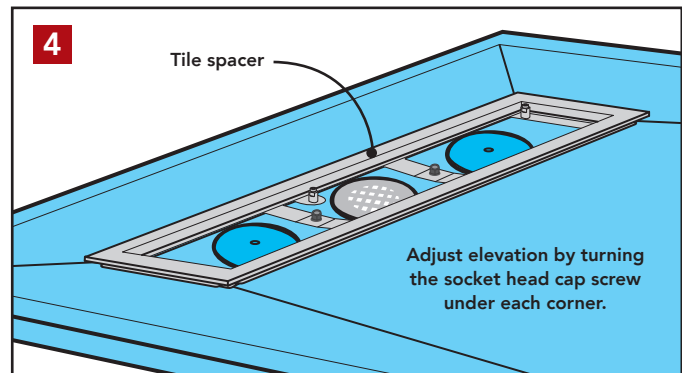
Place the tiling adaptor into the drain gully so that the hole in each hold-down strap slips onto a threaded stud in the gully. Slip a washer onto each stud and follow with a nylon locking nut. Tighten the nuts firmly to secure the tile adaptor to the gully floor.



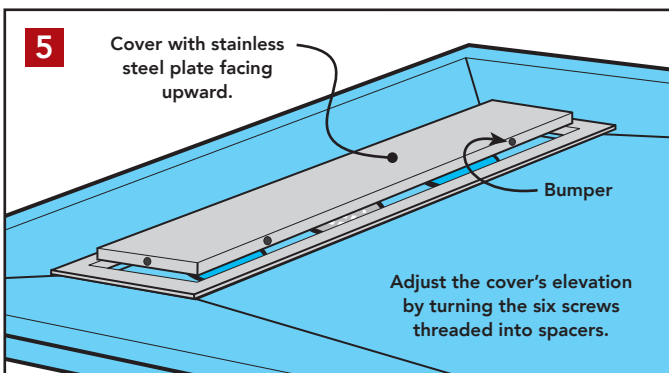
Insert a tile spacer height adjustment bolt into the threaded hole located at each corner of the tile adaptor. Identify these four bolts by their overall length: a bit over 3/4" (the longer bolts in the hardware kit). Turn the bolts until the heads contact the tile adaptor (use a hex driver if necessary).



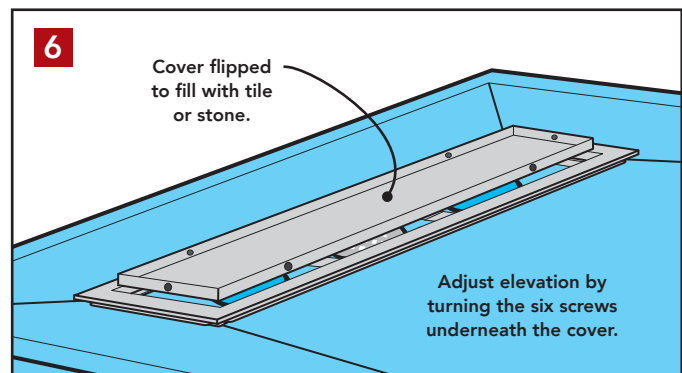
You can install the cover so it's on display, or flip it over and fill it with tile or stone. If you intend to show the steel, install spacers and height adjustment screws (3/16" long) in the six locations shown. If you plan to fill the cover, install only the height adjustment screws (no spacers).



Set the tile spacer on top of the tile adaptor and height adjustment screws. When it comes time to tile, raise the tile spacer to the desired elevation by turning the screws below. You'll want to pack thinset mortar under and around the tile spacer once you have its elevation set.



Press the six bumpers into holes in the edges of the cover (if needed, taper the bumper stems with a utility knife and add a drop of dish soap to insert them), then place the cover onto the spacers and height adjustment screws. Raise the cover to the desired elevation by adjusting the screws.



If you prefer to fill the cover, first rough-up its inside surfaces with 80 grit sandpaper, then clean them with a damp cloth. After it's completely dry, brush a coat of Tank/10® waterproofing onto the steel (to improve mortar adhesion). Use a modified thinset mortar to bed your tile or stone.