

Mixer Valve Gasket

Item Code and Description

- a. WP5000-MXV . . . Mixer Valve Gasket

General Product Description

- a. a non-porous, flexible fabric and ring used for waterproofing a mixer valve cutout
- b. fits most mixer valve models
- c. embed with TANK/10® waterproofing compound

Physical Characteristics

- a. substrate: two outer layers of polypropylene non-woven
- b. coating: thermoplastic elastomere, resistant to aging
- c. color: gray
- d. overall dimensions: 9¼" x 9¼"

Performance Characteristics

- a. a flexible, non-porous fabric with bonded ring for embedment at mixer valve aperture
- b. helps prevent water from infiltrating mixer valve aperture
- c. allows for seasonal movement of materials and provides crack isolation and anti-fracture protection
- d. bonds very well with TANK/10® waterproofing compound
- e. fill gaps beneath tape that are 1/8" wide or more using latex caulk or thinset mortar (do not use silicone)
- f. remove all dirt, debris, and contaminants from surfaces prior to embedding tape
- g. surfaces must be completely clean and dry before embedding gasket

Compliance

- a. ICC PMG-1248 lists compliance with:
 1. 2015, 2012 and 2009 International Residential Code® (IRC)
 2. 2015, 2012 and 2009 International Plumbing Code® (IPC)
 3. 2015, 2012 and 2009 Uniform Plumbing Code® (UPC)
 4. 2010 and 2005 National Plumbing Code of Canada (NPC)
 5. ANSI A118.10-2008 American National Standard Specification for Load Bearing, Bonded, Waterproof Membranes for Thin-Set Ceramic Tile and Dimension Stone Installation
 6. ICC-ES AC 115-2008 Acceptance Criteria for Waterproof membranes for Flooring and Shower Lining

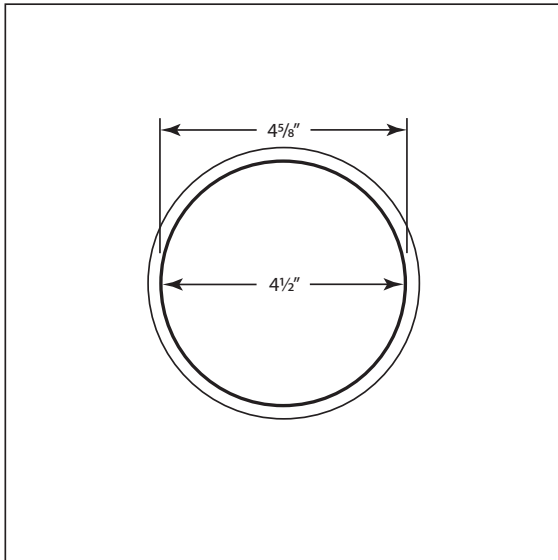


Other Information

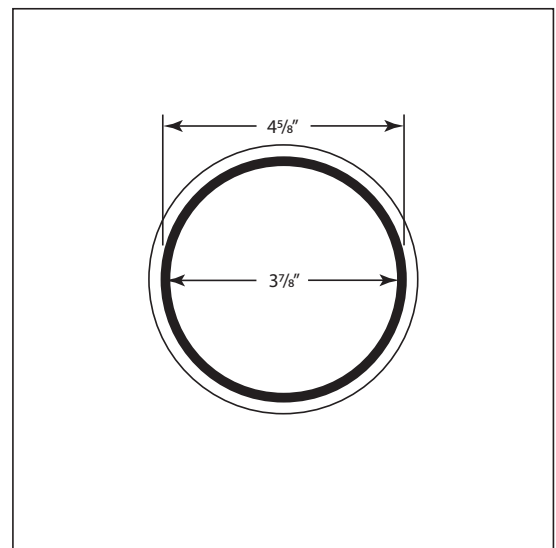
- a. manufacturer warrants to the original owner of the property where product is installed that joint reinforcement tape and gaskets shall be free from defects in the material when properly applied for a period of five years

Mixer Valve Gasket

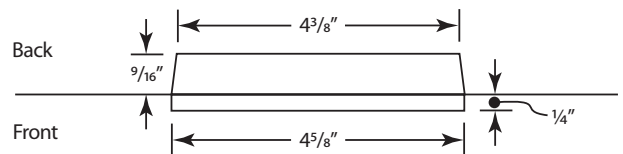
Front View



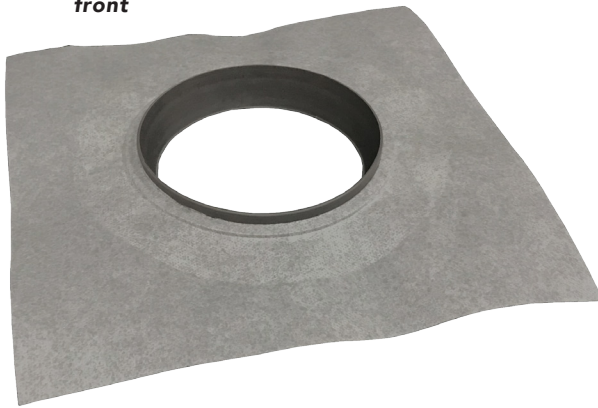
Back View



Edge View



**Mixer Valve Gasket—
front**



**Mixer Valve Gasket—
back**

