

Item Code and Description

- a. TB6535-S
- b. 65" × 35½" TrueDEK Classic shower base

General Product Description

- a. prefabricated, tileable, structural, pre-sloped shower receptor
- b. cover with decorative tile, stone, or weldable resilient flooring

Physical Characteristics

- a. made of stone resin
- b. spans 16" o.c. joist systems
- c. edges are 7/8" thick
- d. drain hole diameter is 6¼"
- e. four gradient planes
- f. gradients are 2% per foot or greater—varies due to length of pitch
- g. centered drain hole
- h. perimeter has 1¾" wide leveling rim with pre-bored, countersunk pilot holes
- i. bottom is smooth, solid surface (no ribbing)
- j. color: blue
- k. weight: approximately 95 lbs.
- l. made from 100% recyclable materials

Performance Characteristics

- a. pre-pitched foundation for shower construction
- b. install on wood or engineered joist systems, on subfloor, or on concrete
- c. cut and drill as needed with standard power tools (stone resin is a highly dense and coarse material, and cutting this base will quickly dull a saw blade)
- d. may be trimmed on all sides (remain at least 6" from drain hole)
- e. rated to carry a 840 lb. load when installed on proper joists spaced 16" o.c. supplemented with perimeter and drain hole blocking (increase load capacity with additional blocking and support)
- f. complete installation requires a Classic Drain Assembly and waterproofing materials
- g. remove tile, redo waterproofing, and re-tile without damaging foundation

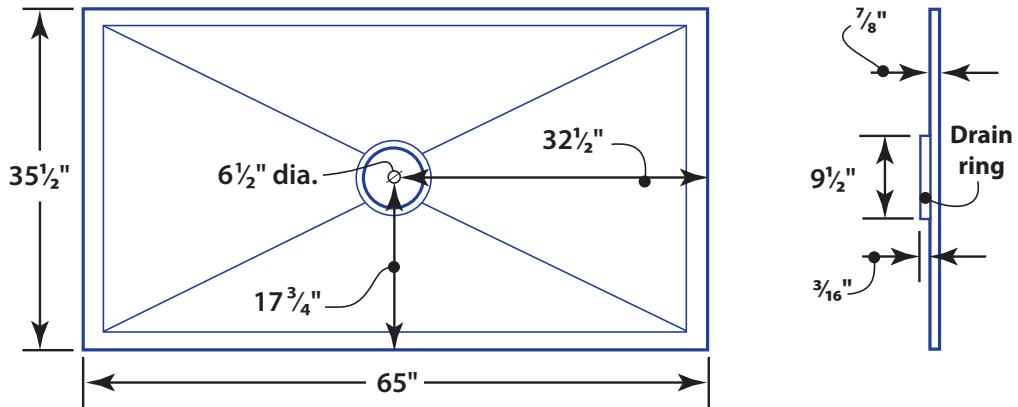
Compliance

- a. ICC PMG-1334 lists compliance with:
 - 1. 2015, 2012 and 2009 International Residential Code® (IRC)
 - 2. 2015, 2012 and 2009 International Plumbing Code® (IPC)
 - 3. 2015, 2012 and 2009 Uniform Plumbing Code® (UPC)
 - 4. 2010 and 2005 National Plumbing Code of Canada (NPC)
 - 5. IAPMO PS106-2015e1 for prefabricated, tileable shower receptors
 - 6. CSA B45.5/IAPMO Z124-2011, Plastic Plumbing Fixtures
 - 7. ASME A112.18.2/CSA B125.2-2015, Plumbing Waste Fittings

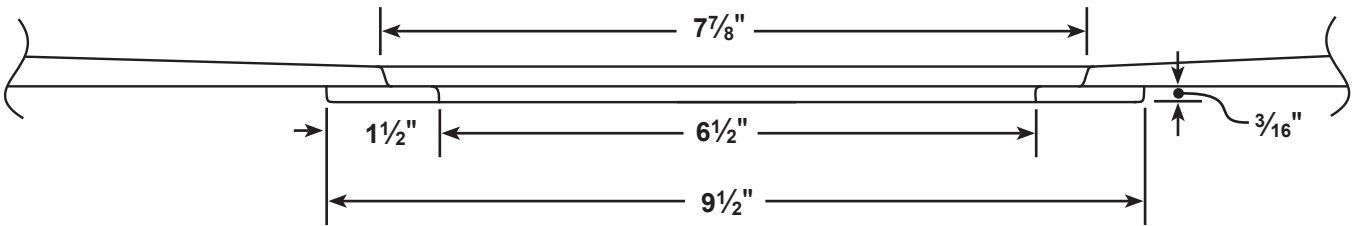


Other Information

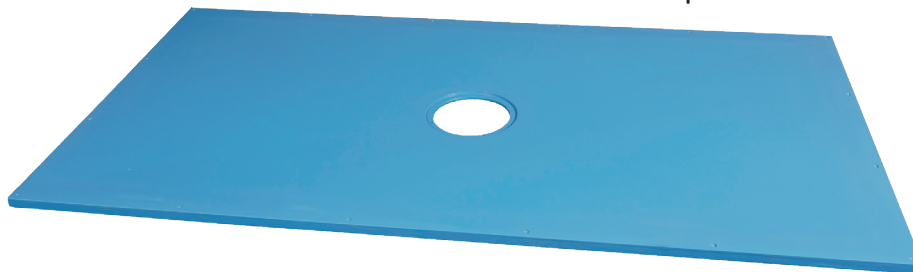
- a. Nicholls & Clarke limited lifetime warranty



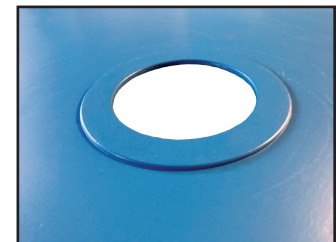
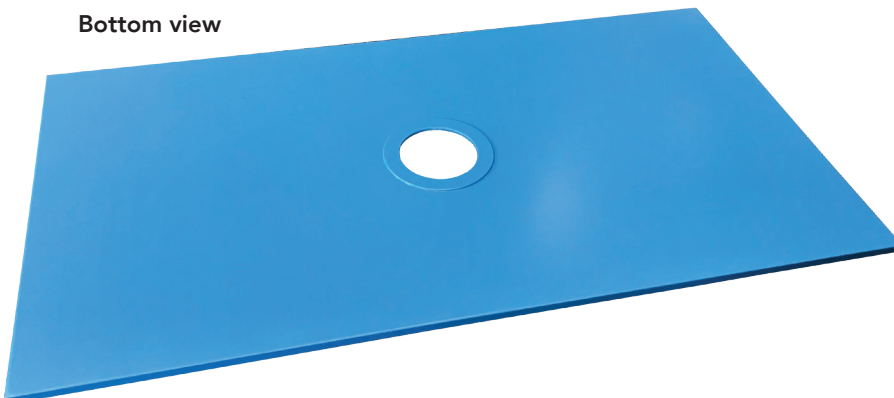
Drain hole cutaway view



Top view



Bottom view



Drain hole reinforcement ring