

2000 Series Shower Seat

Item Code and Description

- a. 02230P . . . Standard economy shower seat with back and arms, blue pads
 - i. replacement pads: item code 02011 for the seat; item code 02212 for the back

General Product Description

- a. a fold-up shower seat with arms and back

Physical Characteristics

- a. aluminum frame and legs
- b. powder-coated frame and upper leg sections
- c. molded polyethylene seat, back, mounting bracket, and arms
- d. closed cell polyurethane pads on seat, back, and arms; includes seat pad retainers and plugs
- e. adjustable leg height
- f. rubber feet
- g. one foot has fine height adjustment feature
- h. seat and arms swing independently to fold against wall
- i. color: white frame, seat, back, upper legs, feet, and mounting bracket; polished aluminum lower legs; blue pads
- j. weight: approximately 16 lbs.
- k. fasteners not included due to the vast variety of wall and blocking types and thicknesses

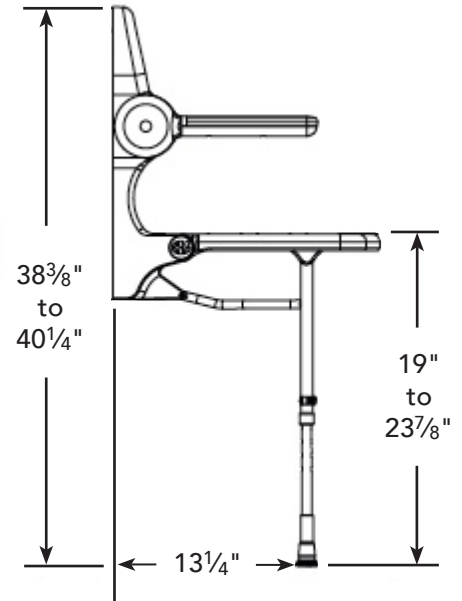
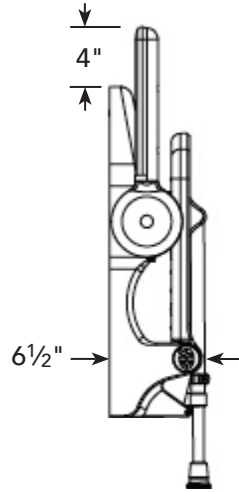
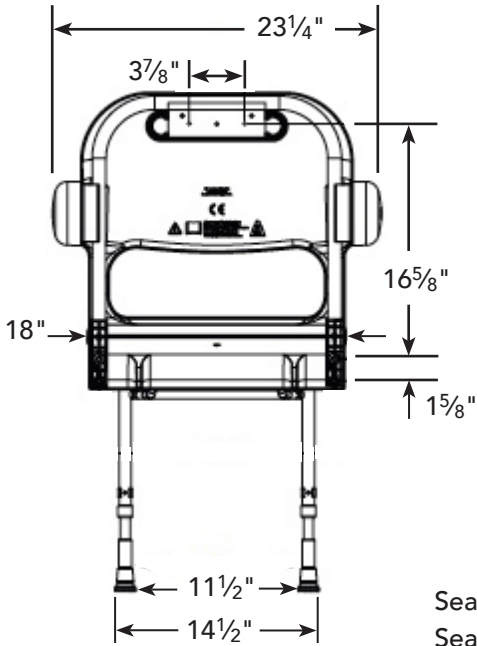
Performance Characteristics

- a. supports up to 348 lbs. when properly installed (rating based on seated user; do not stand on seat)
- b. each arm will support up to 122 lbs.
- c. lower leg sections are adjustable in $\frac{3}{4}$ " increments ; 5" range of height adjustment
- d. adjust height to suit user before mounting to wall
- e. hinged seat swings past 90° to remain in folded, upright position
- f. seat must be mounted so that it is level in all directions and remains in a 90° orientation to the legs
- g. seat must be mounted to substantial, well-secured blocking, usually of 2× solid wood (toenailing is not sufficient; use cleats or notch blocking into studs, and fasten with screws), though brick, concrete, or concrete block are also be suitable mounting materials (use suitable anchors)
- h. #10 round head fasteners recommended (do not use flat head type fasteners); use stainless steel fasteners in wet area installations; each fastener must be capable of withstanding 77 lbs. of pull-out force; the length of fasteners will depend on the distance to drive them deeply into an appropriately reinforced material capable of supporting the load; drive a properly sized fastener into every mounting bracket pilot hole
- i. fine height adjustment allows compensation for slope of floor (+/- $\frac{1}{2}$ " range of adjustability)
- j. the fine height adjustment hex nut must be checked regularly to ensure that it is tight; a loose nut on the fine height adjustment will allow the leg height to change, which will alter the orientation of the seat to the legs, potentially affecting the performance, integrity, and durability of the shower seat
- k. closed cell foam pads will not absorb water
- l. seat and back pads are removable; seat may be used with or without seat and back pads; retainers secure pad to seat; plugs fill holes in seat for pad if user foregoes installation of the pad
- m. hole in seat allows water drainage
- n. for interior installations only
- o. clean and disinfect regularly; pad will not absorb water, however water, soap, and other materials trapped underneath the pad may result in the onset of mold or mildew; use a mild detergent; do not use abrasive pads, or strong acidic, alkaline or other harsh cleaning materials as this may cause discoloration; after cleaning, always flush with water

Other Information

- a. manufacturer's warranty: 10-year for residential installations, 5-year for commercial installations
- b. see AKW warranty for details

2000 Series Shower Seat



Seat width overall: 18"
 Seat depth overall: 15"
 Wall to front edge of seat: 19 1/4"
 Seat pad dimensions: 16 1/4" x 12 1/2"
 Seat pad item code: 02011
 Back pad dimensions: 13 5/8" x 9"
 Back pad item code: 02212



Fine height adjustment—note hex nut tightened to lock against end of leg.

