

Tuff Form8® Shower Former

Item Code and Description

- a. 21131
- b. 39 $\frac{3}{8}$ " × 39 $\frac{3}{8}$ " shower former with rotatable drain plate

General Product Description

- a. prefabricated, tileable, structural, pre-sloped shower receptor
- b. includes a rotatable, indexed drain hole plate
- c. cover with decorative tile, stone, or weldable resilient flooring

Physical Characteristics

- a. made of fiberglass reinforced plastic (GRP)
- b. eight-sided, rotatable plate with hole for drain
- c. structural to span joists
- d. edges: $\frac{7}{8}$ " thick
- e. drain hole diameter: 6 $\frac{1}{4}$ "
- f. multiple gradient planes; drain hole plate is sloped
- g. gradients are 1% per foot or greater—varies due to length of pitch
- h. underside of foundation is ribbed for strength while reducing weight
- i. perimeter has leveling rim with pre-bored, countersunk pilot holes
- j. color: blue
- k. weight: approximately 32 lbs.
- l. made from 100% recyclable materials

Performance Characteristics

- a. pre-pitched foundation for shower construction ready for tile or weldable vinyl
- b. install on wood or engineered joist systems, on subfloor, or on concrete
- c. rotate plate to position drain hole in desired location; drain hole may be centered on former
- d. rotate foundation for more drain hole positioning options (15 options available)
- e. cut and drill as needed with standard power tools, bits, and blades
- f. may be trimmed on all sides (cuts must remain at least 6" from rotating plate)
- g. rated to carry a 840 lb. load when installed on code-approved joists spaced 16" o.c. supplemented with perimeter and drain hole blocking (increase load capacity with additional blocking and support)
- h. complete installation requires a Classic Drain Assembly and waterproofing materials
- i. remove tile, redo waterproofing, and re-tile without damaging foundation

Compliance

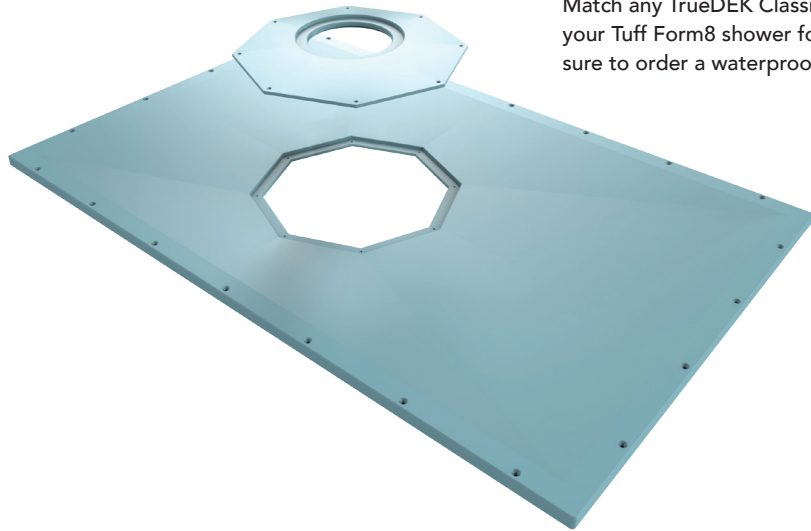
- a. ICC PMG-1223 lists compliance with:
 1. 2015, 2012 and 2009 International Residential Code® (IRC)
 2. 2015, 2012 and 2009 International Plumbing Code® (IPC)
 3. 2015, 2012 and 2009 Uniform Plumbing Code® (UPC)
 4. 2010 and 2005 National Plumbing Code of Canada (NPC)
 5. IAPMO PS106-2015e1 for prefabricated, tileable shower receptors
 6. CSA B45.5/IAPMO Z124-2011, Plastic Plumbing Fixtures
- b. QAI Laboratories test report no. RJ4241-1
 1. meets conditions of classification for 30-minute flame spread index and smoke developed index per ASTM E84 requirements



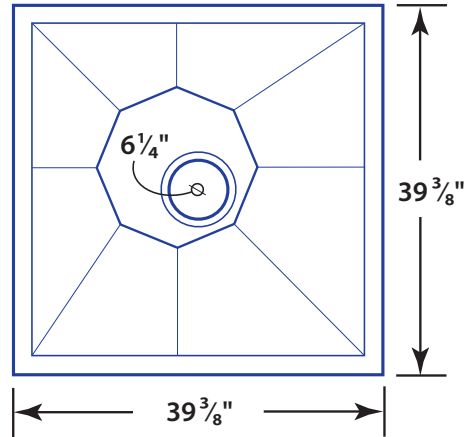
Other Information

- a. AKW limited lifetime warranty

Tuff Form8® Shower Former



Match any TrueDEK Classic drain with your Tuff Form8 shower former, and be sure to order a waterproofing kit.



As measured from the center of the former		
Position	x axis	y axis
1	0	0
2	.75"	2"
3	0	4"
4	-2"	4.75"
5	-4"	4"
6 ●	-4.75"	2"
7	-4"	0
8	-2"	-.75"
9	-.75"	-2"
10	0	-4"
11	2"	-4.75"
12	4"	-4"
13 ●	4.75"	-2"
14	4"	0
15	2"	.75"

All coordinates are from the center of the shower former. It is highly recommended to have the shower former on site while determining the optimal position for the drain hole.

