

## NEW TrueDEK Linear Drain Cover

### Item Code and Description

- a. 21228 . . . NEW TrueDEK linear drain in brushed stainless steel with slotted cover

### General Product Description

- a. stainless steel decorative drain assembly for tile showers
- b. fits TrueDEK linear shower foundations
- c. slotted cover

### Physical Characteristics

- a. made of SAE grade 304 stainless steel
- b. includes cover, tile spacer, tile adaptor, drain connector, and hardware for installation
- c. drain connector is a Sioux Chief 825 PVC 2" solvent weld
- d. brushed, matte finish on all decorative stainless components
- e. height is adjustable
- f. weight: approximately 9 lbs.
- g. made from 100% recyclable materials

### Performance Characteristics

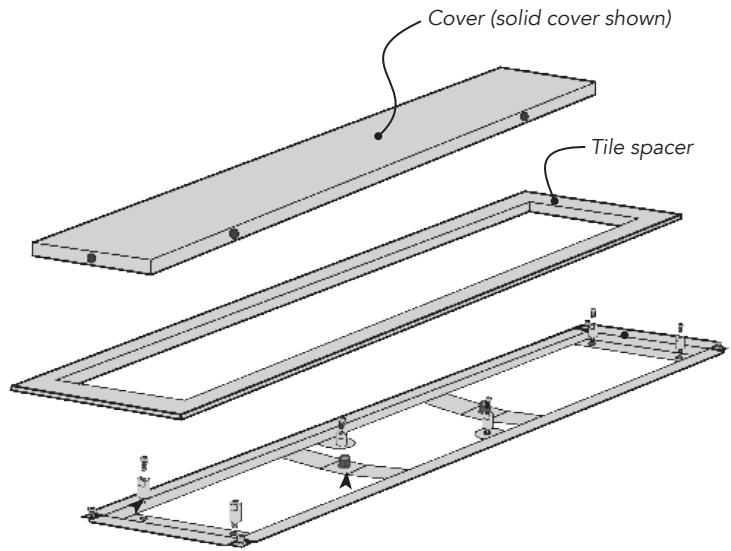
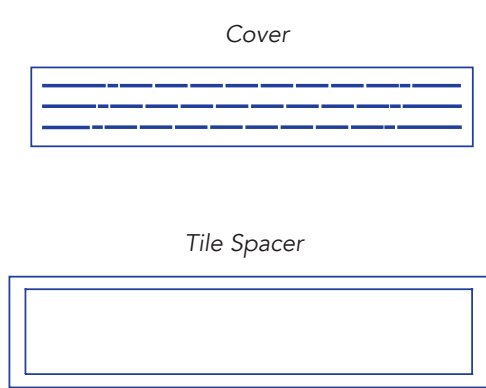
- a. water reaches drain gully by flowing through narrow gap (approximately 1/4") around cover
- b. mount tile adaptor to shower foundation studs with lock nuts
- c. raise or lower elevation of cover and tile spacer by turning height adjustment screws
- d. adjust elevation of cover and tile spacer to match tile from 1/4" to 5/8" thick
- e. cover may be flipped over and filled with tile or stone
- f. complete installation requires at least one drain connector (included with drain assembly)
- g. installing one 2" drain connector is suitable for a maximum water flow rate of 6 to 7 gallons/minute; consult a professional plumber for an accurate calculation of drainage requirements; a typical shower head uses 1.5 to 2.5 gallons/minute

### Other Information

- a. AKW limited lifetime warranty on drain assembly
- b. Sioux Chief limited lifetime warranty on drain connector

# NEW TrueDEK Linear Drain Cover

ARC, Inc.  
1-715-743-2771  
info@arcfirst.net



Linear drain—  
solid cover showing.

Every linear drain assembly  
includes a 2" PVC drain  
line connector.



For specifications, please see  
item code DC5500-PVC.



Linear drain—  
cover filled with tile.

Slotted cover detail.

