

## Item Code and Description

- a. 11857
- b. 63" × 31½" FastDEK shower base, white

## General Product Description

- a. prefabricated, structural, pre-sloped shower receptor with a finished top surface

## Physical Characteristics

- a. made of fiberglass reinforced plastic (GRP)
- b. top surface has a natural, stone-like texture
- c. spans 16" o.c. joist systems
- d. edges are 1" thick
- e. drain hole diameter is 3¼" (fits standard drain connector)
- f. four gradient planes
- g. gradients are 1% per foot or greater—varies due to length of pitch
- h. underside of foundation is ribbed for strength while reducing weight
- i. includes decorative drain cover
- j. color: black
- k. weight: approximately 45 lbs.
- l. made from 100% recyclable materials

## Performance Characteristics

- a. precisely pre-pitched for efficient drainage
- b. install on wood or engineered joist systems, on subfloor, or on concrete
- c. install so that the top surface of the shower base is flush with the surrounding floor or higher than the surrounding floor
- d. cut as needed with standard power tools (for aesthetic reasons, any exposed edges should not be cut)
- e. rated to carry an 840 lb. load when installed on proper joists spaced 16" o.c. supplemented with perimeter and drain hole blocking (increase load capacity with additional blocking and support)
- f. surface provides anti-slip texture
- g. installation requires a FastDEK Installation Kit (FB1000-IK) and waterproofing materials

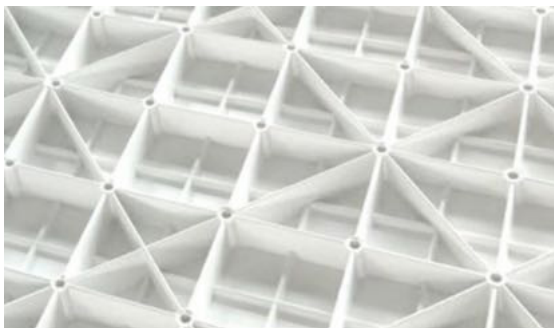
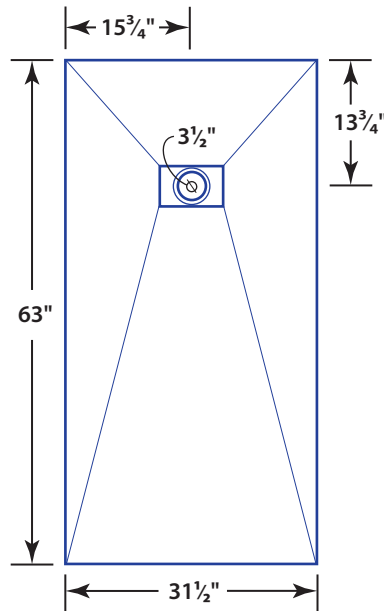
## Compliance

- a. ICC PMG-1223 lists compliance with:
  1. 2015, 2012 and 2009 International Residential Code® (IRC)
  2. 2015, 2012 and 2009 International Plumbing Code® (IPC)
  3. 2015, 2012 and 2009 Uniform Plumbing Code® (UPC)
  4. 2010 and 2005 National Plumbing Code of Canada (NPC)
  5. IAPMO PS106-2015e1 for prefabricated, tileable shower receptors
  6. CSA B45.5/IAPMO Z124-2011, Plastic Plumbing Fixtures
- b. QAI Laboratories test report nos. TJ5925-1 and TJ5925-2



## Other Information

- a. AKW limited lifetime warranty

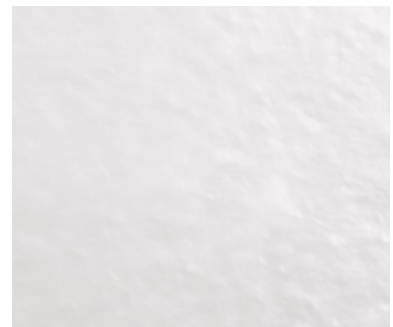


Ribbed underside detail.

Be sure to order a FastDEK installation kit: FB1000-IK.



Color and surface texture detail.



FastDEK installed on finished floor.



Drain cover detail.