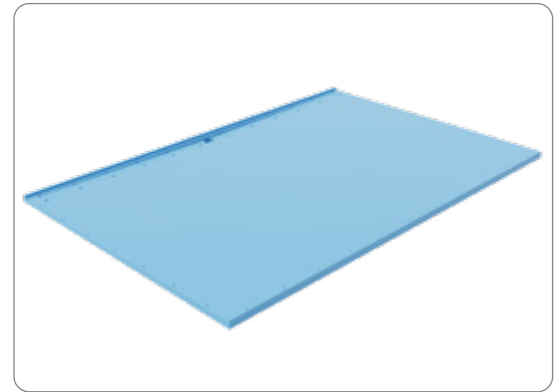


TrueDEK Ultimate Linear Shower Base

Product Overview

Constructed from durable yet lightweight glass fiber reinforced plastic (GRP), the TrueDEK Ultimate Linear Shower Base can support up to 840lbs and creates one continuous pitch to the drain, making it perfect for large format decorative tile, stone, or weldable resilient flooring.

Trim on site to any size, you can even install multiple bases to create a bigger shower area if required, with pre-drilled holes for quick and easy installation.



Physical Characteristics

- + Materials: Glass Fiber Reinforced Plastic (GRP) base with stainless steel drain cover (included) and side trim (available A La Carte)
- + Size: 72" x 48"
- + Depth: 1 1/8"
- + Maximum load capacity: 840lbs
- + Weight:
- + Spans 16" o.c. joist systems
- + Drain hole diameter: 2"
- + Compatible with standard drain connector
- + One continuous pitch to drain
- + Gradient: 1% per foot
- + Ribbed underside for strength while reducing weight
- + Perimeter features pre-drilled, countersunk pilot holes for quick and easy installation
- + Includes tileable drain cover
- + Stainless steel side trim available A La Carte for open-sided installations
- + Made from 100% recyclable materials

Compliance

a. ICC PMG-1223 lists compliance with:

1. 2015, 2012 and 2009 International Residential Code® (IRC)
2. 2015, 2012 and 2009 International Plumbing Code® (IPC)
3. 2015, 2012 and 2009 Uniform Plumbing Code® (UPC)
4. 2010 and 2005 National Plumbing Code of Canada (NPC)
5. IAPMO PS106-2015e1 for prefabricated, tileable shower receptors
6. CSA B45.5/IAPMO Z124-2011, Plastic Plumbing Fixtures

b. QAI Laboratories test report no. RJ4241-1

1. meets conditions of classification for 30-minute flame spread index and smoke developed index per ASTM E84 requirements

Other Information

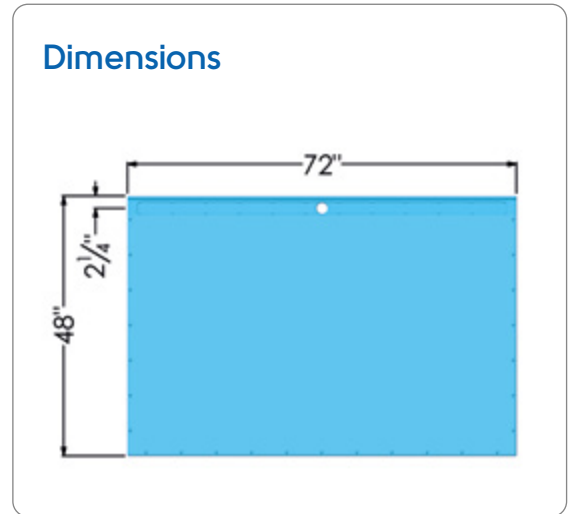
- + AKW limited lifetime warranty



TrueDEK Ultimate Linear Shower Base

Performance Characteristics

- + Pre-pitched for efficient drainage
- + Continuous pitch is ideal for large format tile
- + Offers level access into the showering area
- + Both base and drain cover can be cut down in size on site
- + Install multiple adjacent bases to create a larger showering area
- + 2" drain outlet is the only part sitting below the floor joist system
- + Rated to carry an 840lb load when installed on proper joists spaced 16" o.c. supplemented with perimeter and drain hole blocking
- + Durable and re-useable; remove and replace tile without damaging the base
- + Drain cover is tileable, ensuring consistency of finish
- + Stainless steel trims ensure a tidy join between pitched base and adjacent level floor



Product Codes:

TrueDEK Ultimate Linear Shower Base 72" x 48"	21240
---	-------

Spares:

TrueDEK Ultimate Linear Drain Cover	21-001-002
-------------------------------------	------------

A La Carte Items:

TrueDEK Ultimate Edge Trim 1/4in Tile	RH21241R
TrueDEK Ultimate Edge Trim 1/4in Tile	LH 21241L
TrueDEK Ultimate Edge Trim 3/8in Tile	RH 21242R
TrueDEK Ultimate Edge Trim 3/8in Tile	LH 21242L
TrueDEK Ultimate Edge Trim 1/2in Tile	RH 21243R
TrueDEK Ultimate Edge Trim 1/2in Tile	LH 21243L