

Product Overview

Expand our range of TrueDEK shower bases by an additional 12" per side with sloped TruePITCH Extension panels.

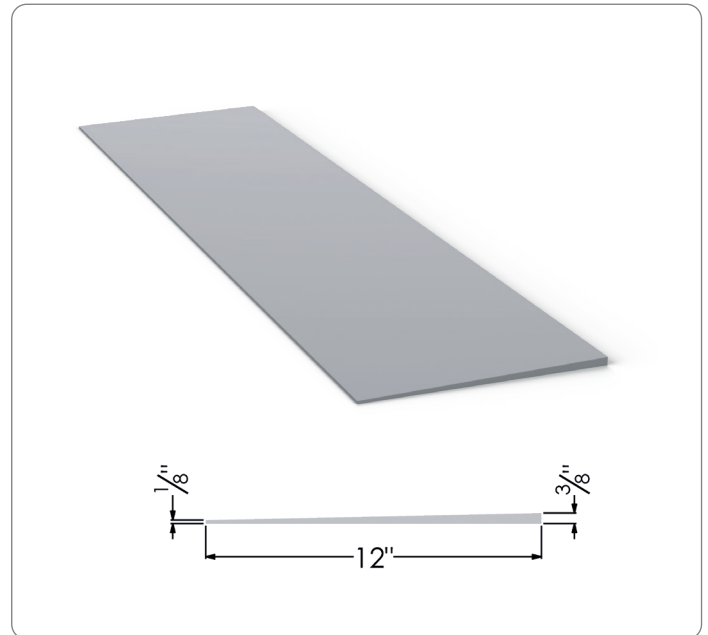
Measuring 12" x 60" with a 1/4" per foot slope, our extension panels are an ideal substitution for tile backer boards or uncoupling membrane alongside our shower bases, and can be covered with decorative tile, stone, or weldable resilient flooring.

Physical Characteristics

- + Material: PVC
- + Size: 12" x 60"
- + Depth: 1/8"-3/8" slope
- + Weight: 7lbs approx.
- + One gradient plane
- + Gradient: 2% per foot
- + Color: Gray
- + Made from 100% recyclable materials

Performance Characteristics

- + Compatible for use with TrueDEK Classic, TrueDEK Classic8 and TrueDEK Linear shower bases
- + Cut and drill as needed with standard power tools
- + Trim to any length or width needed to suit
- + Must be installed on structurally sound subfloor
- + Extend pitch of shower base on up to four sides; cannot be used to extend the size of the base more than 12" per side
- + Use Tank/10 polyurethane construction adhesive or modified thin-set mortar, along with screws to secure each extension panel to the subfloor
- + Drill countersunk pilot holes 6-8" apart for screws
- + Cover with decorative tile, stone, or weldable resilient flooring



Other Information

- + AKW limited lifetime guarantee



Product Code

TruePITCH Extension 12" x 60"

TB6012-PXT